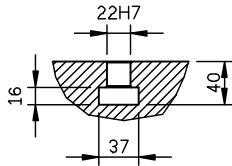
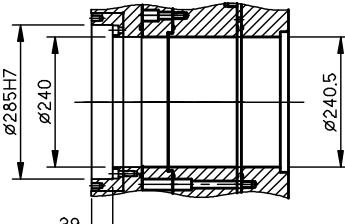


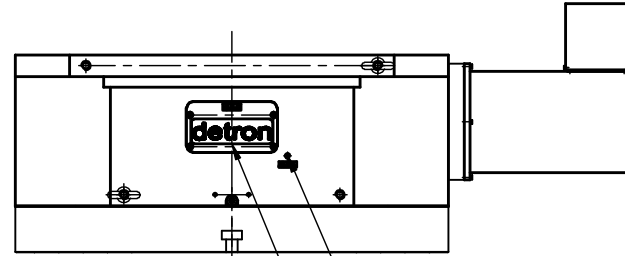
MAX. Loading Capacity	Vertical 800Kg Horizontal 1500Kg
Allowable loading inertia	1224 Kg.cm.s ²
Indexing accuracy	15"
Repeatability	6"
Resolution	0.001°
Allowable cutting torque	500 kg-m
MAX. table speed	11.1 rpm
Servo motor type	A22i/A22is/HF353
Transmission ratio	1:180
Clamping torque	520 kg-m
Drive pressure	50 kg/cm ²



Width of T-slot

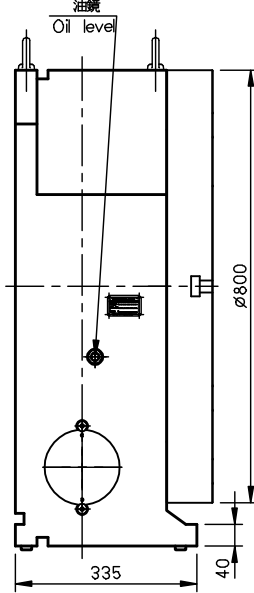
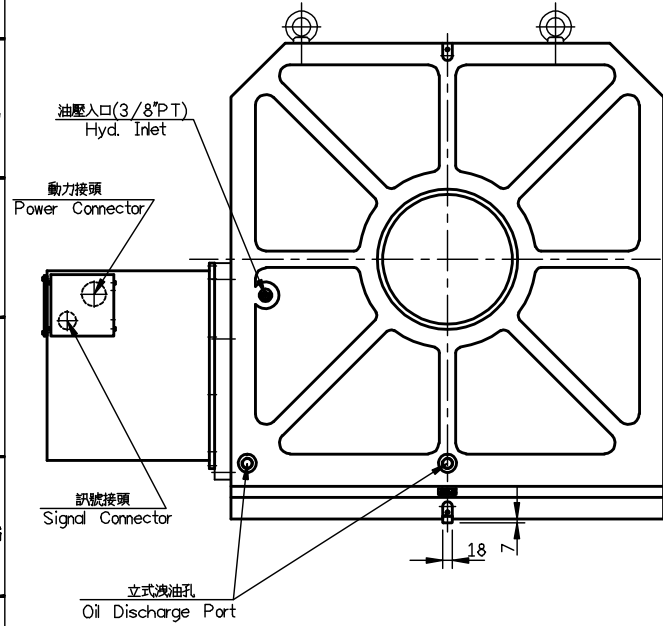


Through-hole diameter

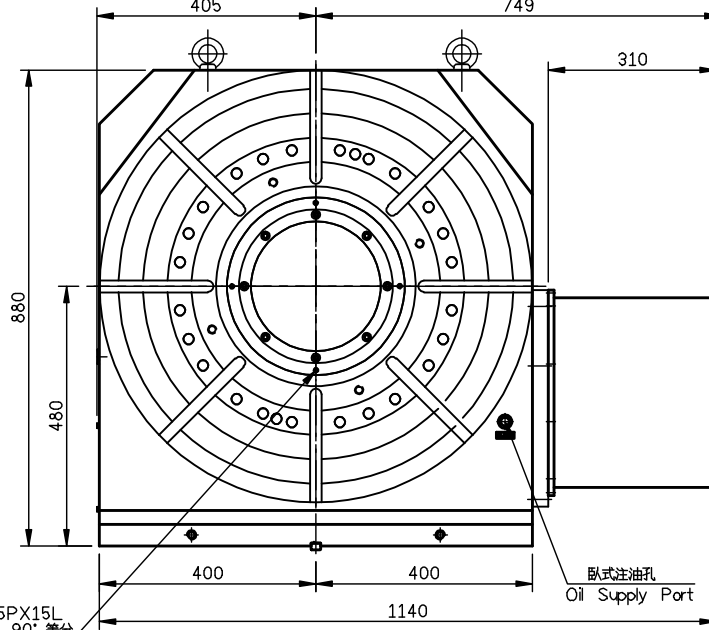


立式注油孔 Oil Supply Hole
微車排氣孔 Deaerating Part

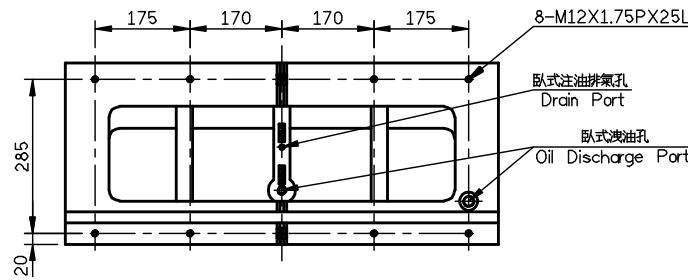
油壓入口(3/8"PT) Hyd. Inlet



4-M10X1.5PX15L
PCDØ310 90° 等分



臥式注油孔 Oil Supply Port



臥式注油排氣孔 Drain Part

臥式洩油孔 Oil Discharge Port

GX800H-A01

detron		比例 SCALE	1=7	機型 MODEL	GX800H	材質 MATERIAL		名稱 TITLE	Dimensional Drawings	料號 PART NO.	
▲	XX-XX-XX	日期 DATE	XXXX	項目 ITEM DESCRIPTION	1/台	備註 REMARKS	退火處理	數量			SHEET 1 OF 1 A2