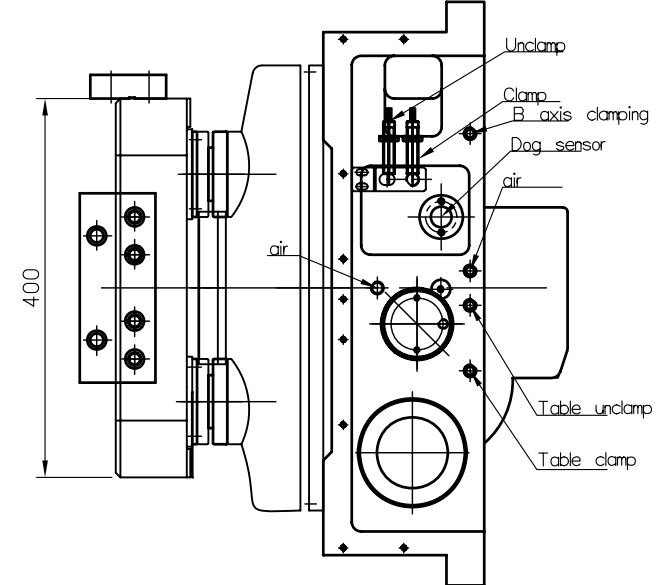
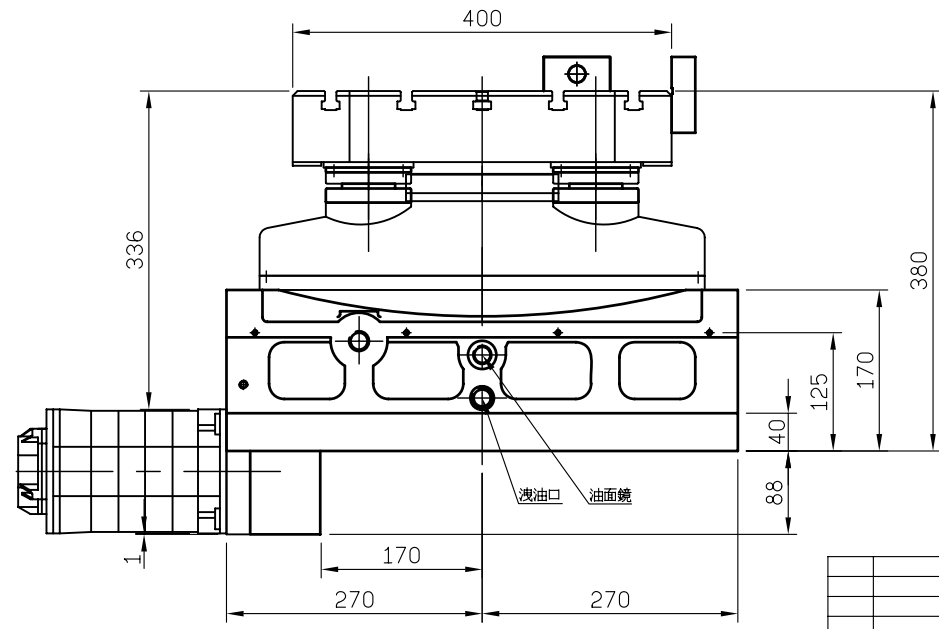
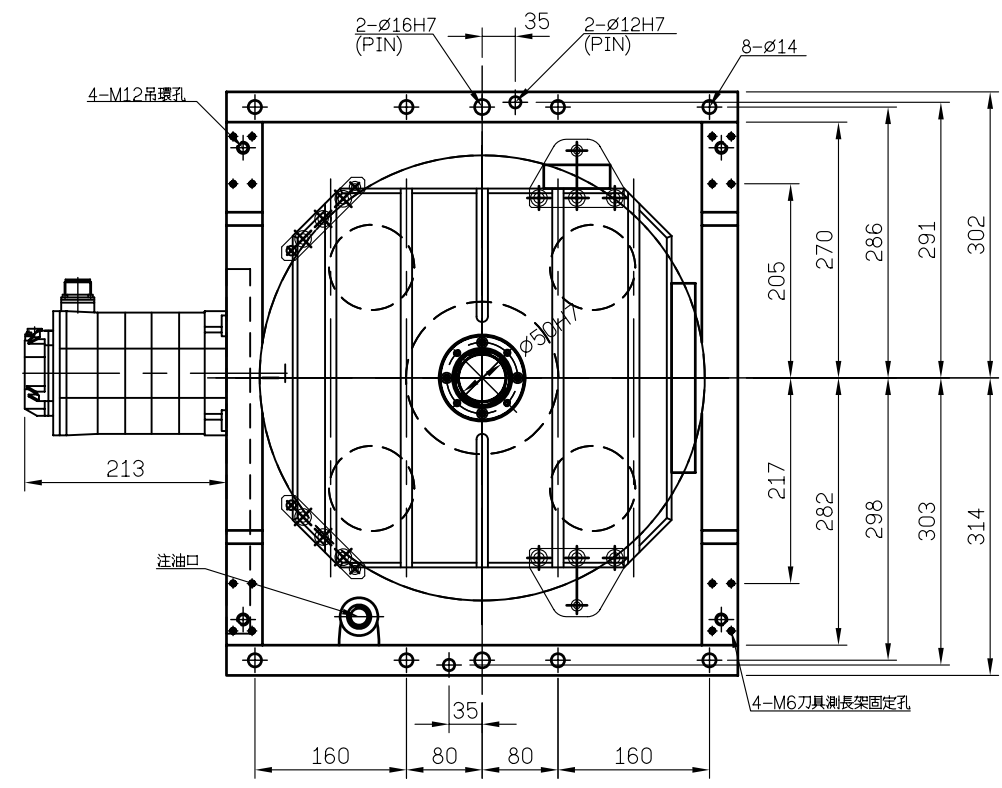
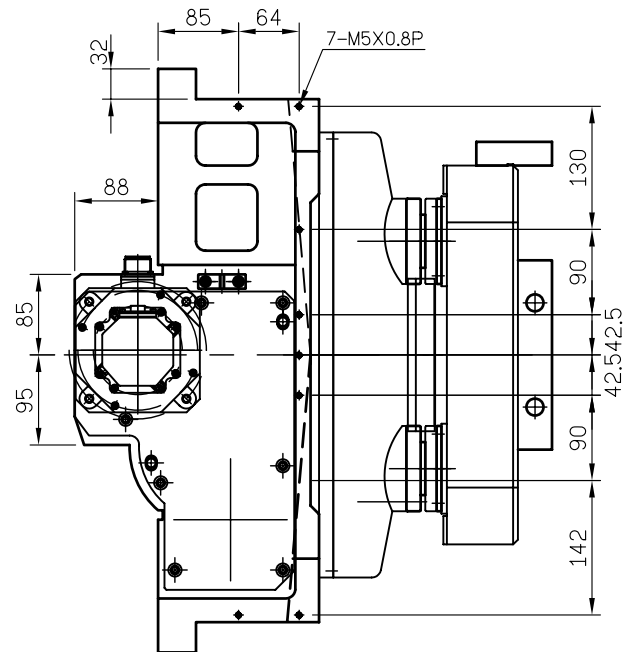


Table sizes	400X400
MAX. Loading capacity	400kg(平均負荷)
Center bore diameter	∅50H7
Min. indexing	1°
Servo motor type	[FANUC] α8i
Transmission ratio	1:144
Max. table speed	16.6r.p.m/min
Clamping force	5600Kg
Hydraulic drive pressure	50kg/cm <sup>2</sup>
Indexing accuracy	±5"
Repeatability	±2"
The Max. Position Tolerance Between Two Pallet	0.02mm
The Surface of Pallet	0.02mm

確認用圖	
客戶確認用章	
核准	審核



比例 SCALE	機型 MODEL	材質 MATERIAL	名稱 TITLE	圖號 DRAWING NO.
1=6	HH400T2		HH400T2外型圖	
角法 SKIAGRAPHY	用圖 UNIT	備註 REMARKS	核准	審圖
00'00'00	XXXXX			
ITEM DATE	ITEM DESCRIPTION			
				SHEET OF A2