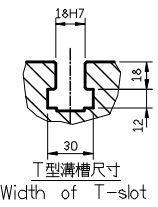
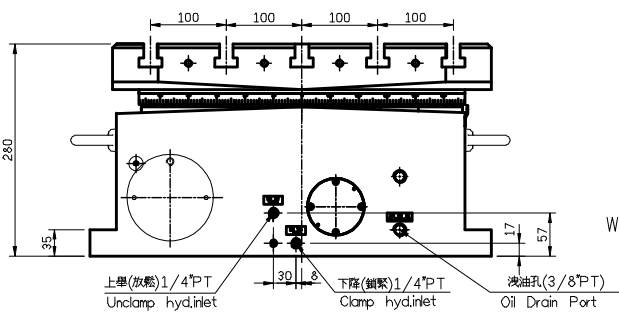
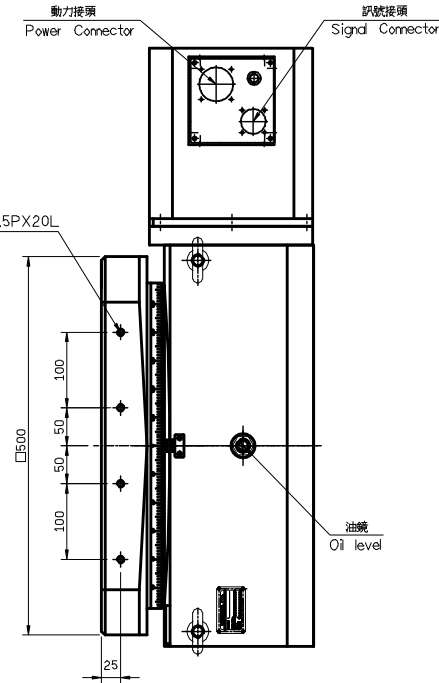
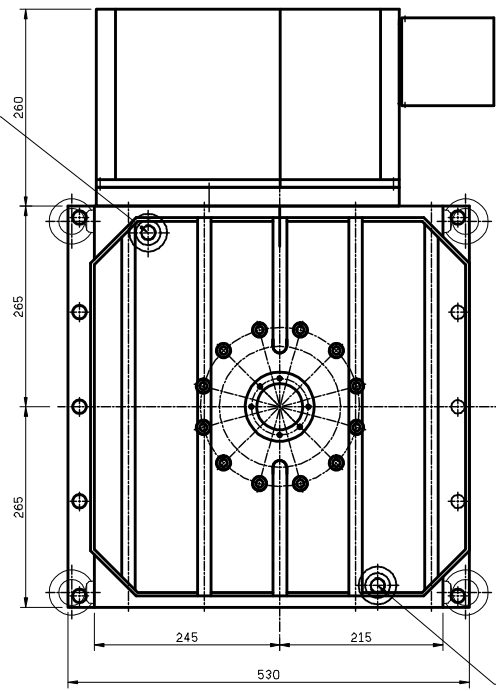
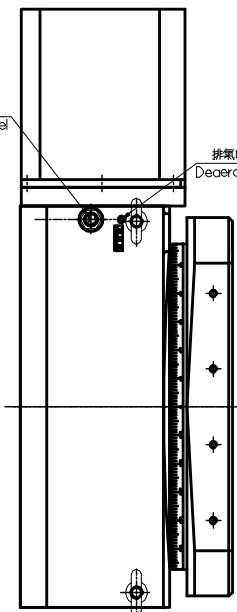
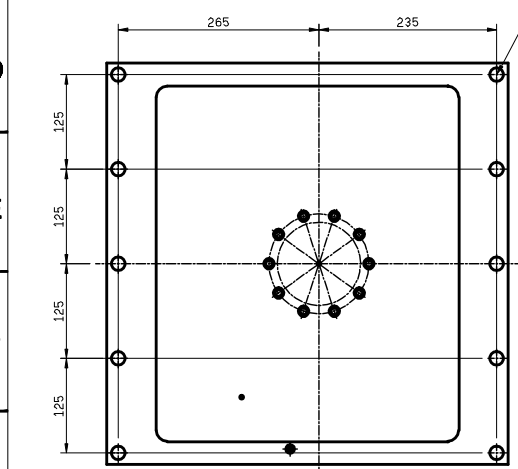


| | | | | | | | | | | | | | | |
|--|-----------------------|---------------------------------------|---|---------|---|---|---|---|----|----|----|----|----|----|
| 1 | 2 | 3 | 4 | 5 | 6 | 7 | 8 | 9 | 10 | 11 | 12 | 13 | 14 | 15 |
| 工作台尺寸 Palet dimension | 500x500 mm | 平臺總高度 Overall height in horizontal | 280 mm | | | | | | | | | | | |
| 中心孔尺寸 Center hole diameter | ∅50H7 | T型槽寬 Width of T-slot | 18H7 | | | | | | | | | | | |
| 何樂馬達型號 (選配/optional) | FANUC MITSUBISHI | A12i/B22is HF204S | 盤面偏擺 Run out of table surface | 0.02 mm | | | | | | | | | | |
| Servo motor | SIEMENS | 1FK7083 | 上下平行度 Parallelism between table surface and table base | 0.02 mm | | | | | | | | | | |
| 減速比 Transmission ratio | 1:144 | 確認用圖 客戶確認用章 | | | | | | | | | | | | |
| 最高迴轉速 Max. table speed | 11.1 rpm | 核准 | 審核 | | | | | | | | | | | |
| 最小設定單位 Resolution | 1' or 5' | | | | | | | | | | | | | |
| 夾緊扭力 Clamping torque | 288 Kg-m | | | | | | | | | | | | | |
| 容許切削扭矩 Cutting torque | 430 Kg-m | | | | | | | | | | | | | |
| 油壓淨壓力 Hyd. pressure | 50 Kg/cm ² | | | | | | | | | | | | | |
| 分度精度 Indexing accuracy | ±5" | | | | | | | | | | | | | |
| 重複精度 Repeatability | 2" | | | | | | | | | | | | | |
| 容許負載容量(平均負載) Max. table load(Average) | 600 Kg | | | | | | | | | | | | | |



| | | | | | | | | | | | | | | | | |
|-------------|---|---|---|---|---|---|---|---|---|---------------|---|--------------|----------------|-------------|------------|-------------|
| D | E | F | G | H | I | J | A | B | C | D | E | F | G | H | I | J |
| HH500HT-A01 | | | | | | | | | | | | | | | | |
| | | | | | | | | | | detron | | 比例 SCALE | 機型 MODEL | 材質 MATERIAL | 名稱 TITLE | 料號 PART NO. |
| | | | | | | | | | | | | 1=5 | HH500HT | | HH500HT外型圖 | |
| | | | | | | | | | | | | 單位 UNIT | 備註 REMARKS | 次序 | 審查 | 繪圖 |
| | | | | | | | | | | | | 1/台 | 標準機 | | | |
| | | | | | | | | | | | | 日期 DATE | 項目 DESCRIPTION | | | |
| | | | | | | | | | | | | 00/00/00 | XXXXX | | | |
| | | | | | | | | | | | | SHEET 1 OF 1 | | | | |
| | | | | | | | | | | | | A2 | | | | |